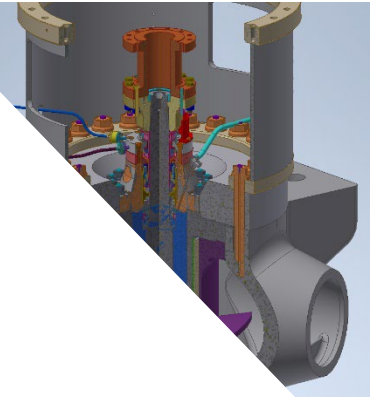


Rotating Equipment Services

RCP Seal System Training



The Westinghouse Solution

As the Original Equipment Manufacturer (OEM), Westinghouse is best positioned for the development, design, and ongoing technical support for plant operations.

Westinghouse is the industry leader in PWR RCP seal engineering. With millions of operational hours of the Westinghouse seals, our experts can provide premier technical advice and services based on intimate OEM design ownership and extensive industry operating experience. Our Rotating Equipment Services (RES) engineers stand ready to provide detailed assessment of seal performance based on a multitude of input variables, delivering component reliability through proactive risk mitigation, and specific reactive condition recovery actions.

Specific Dedicated Training

Westinghouse offers utility component and system engineers the opportunity to discuss Reactor Coolant Pump Seals with our Subject Matter Experts in the RCP Excellence Center of Churchill, PA.

During this session, which is designed to focus on a small group and specifically selected topics, the trainees will have the opportunity to discuss the equipment design currently in operation at their plant and the possible challenges associated with them. The course is designed to be interactive and personalized to offer the best value to both the attendees and the utility in general.

The session is a mix of classroom discussions and hands-on simulator (testing equipment) to offer the best approach to solving issues during operation.



Training Structure

Training is scheduled for 2 days with the following overall structure:

- Description of the seal function in its system, based on the actual installed equipment
- Operational challenges and troubleshooting, based on existing or past specific occurrences (to be selected between the attendees and the trainer prior to the session)
- Maintenance and inspection process & best practices
- Innovation options - What is the future of seals?



For more information contact:
John J. Howard, Sales Manager
Rotating Equipment Services
howardjj@westinghouse.com
(412) 742-5456

www.westinghousenuclear.com/outage-services/rotating-equipment/reactor-coolant-pump-refurbishment-services

Westinghouse Electric Company LLC

2025 All Rights Reserved

1000 Westinghouse Drive Cranberry
Township, PA 16066

www.westinghousenuclear.com

